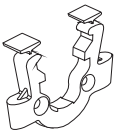



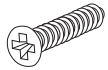
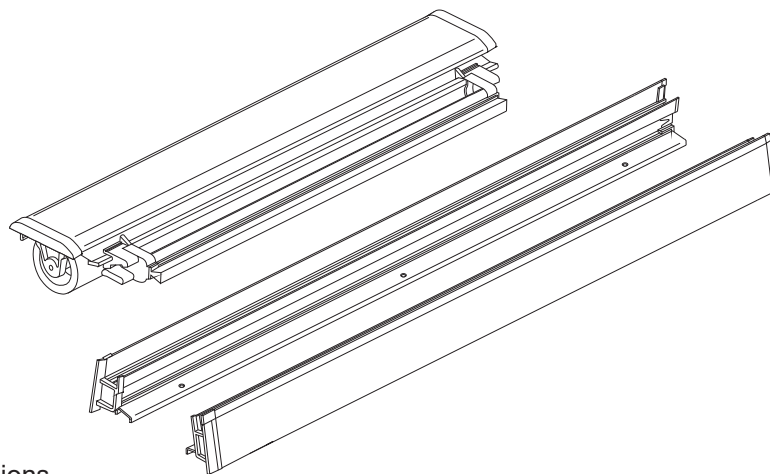


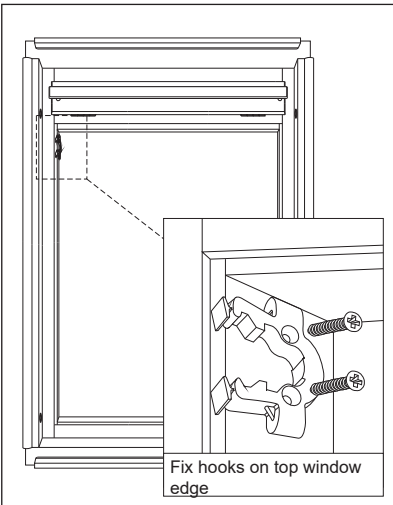
Model Comfort

 2x	*  (3x20 mm)
 	 4x (3x16 mm)

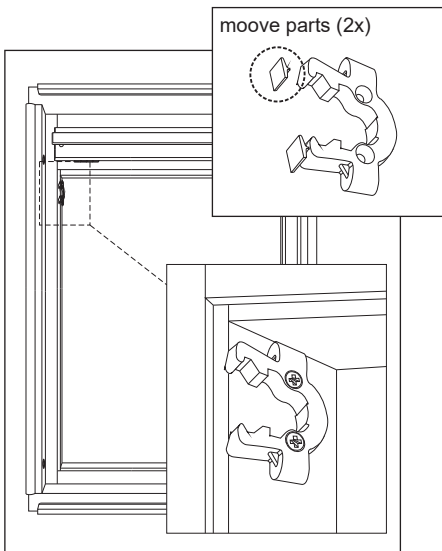


* Number depends on window dimensions

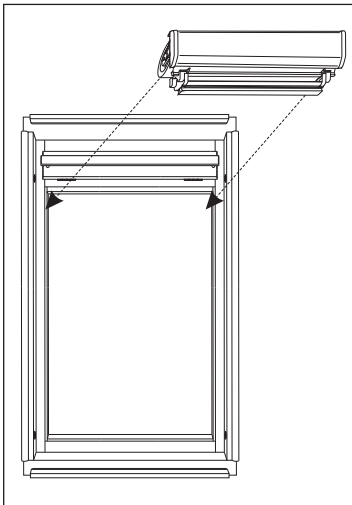
Assembly

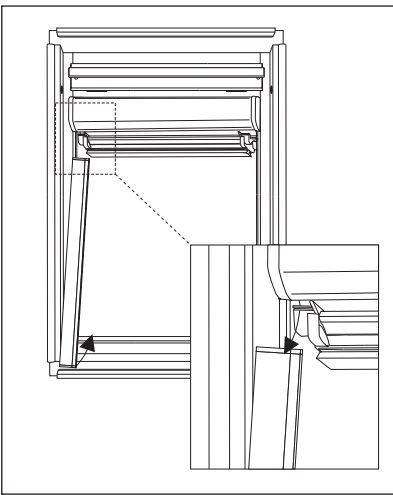


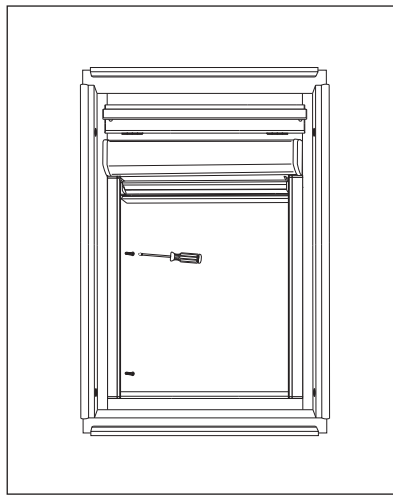
Fix hooks on top window edge

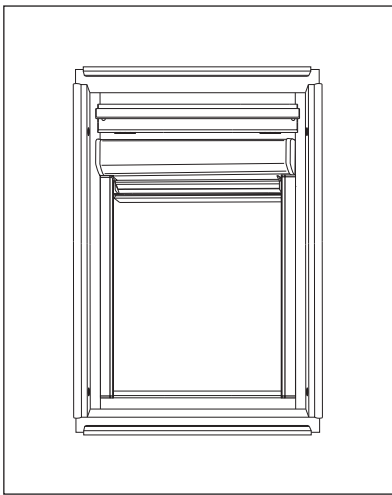


move parts (2x)









1. Carrier settings

2. Carrier fastening

3. Cassette assembly

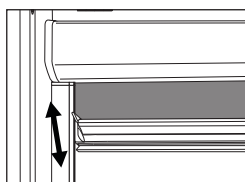
4. Positioning the guide rails

5. Mounting guide rails

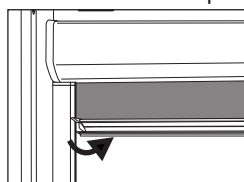
6. System ready for use

Operation

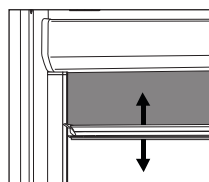
To move:



Pull the bottom strip off:



Push on:



Slide the sub-strip to block:

